

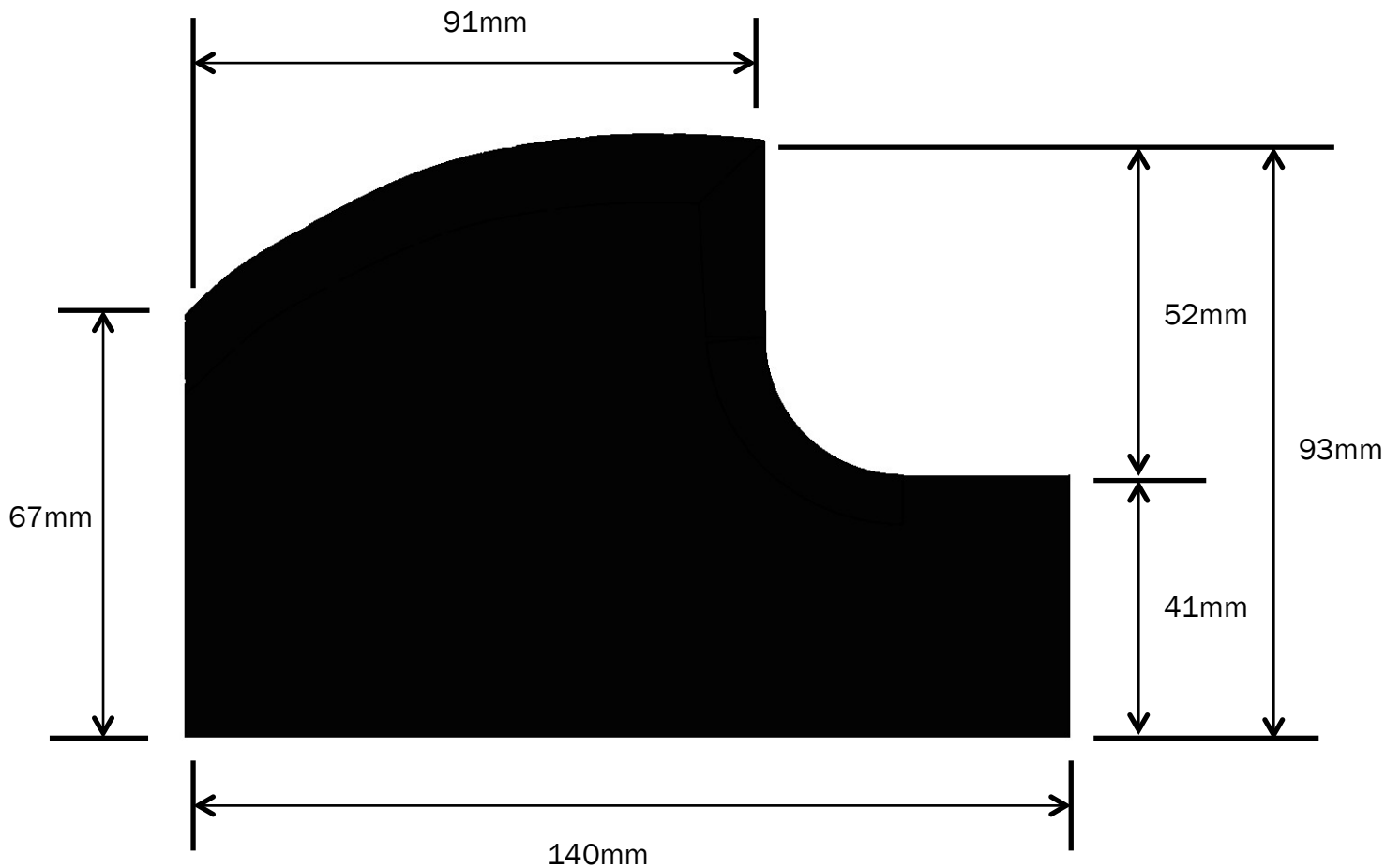
SWPC

SINGLE WINGED PLANTAR COVER

DATA SHEET

ortesi

3D printed braces & orthotics



AVAILABLE IN THE FOLLOWING MATERIALS

- | | | | | | | | |
|--|-------------|---|--------------|---|------------------|---|--------------------|
|  | BLUE
PPT |  | RED
PORON |  | RED
(190) EVA |  | BEIGE
(220) EVA |
|--|-------------|---|--------------|---|------------------|---|--------------------|

*SWPC LEFT ONLY SHOWN FOR ILLUSTRATION PURPOSES.